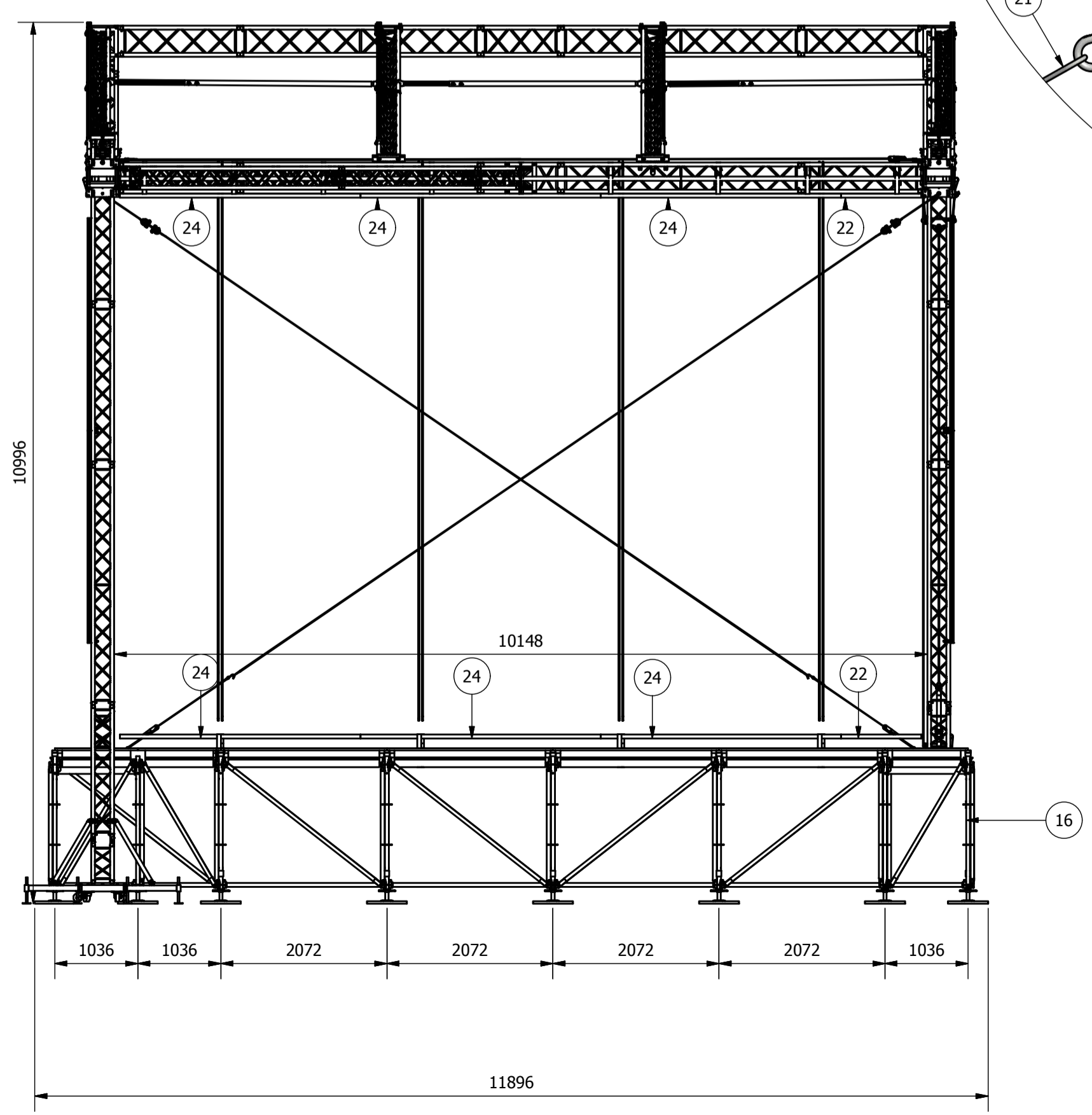
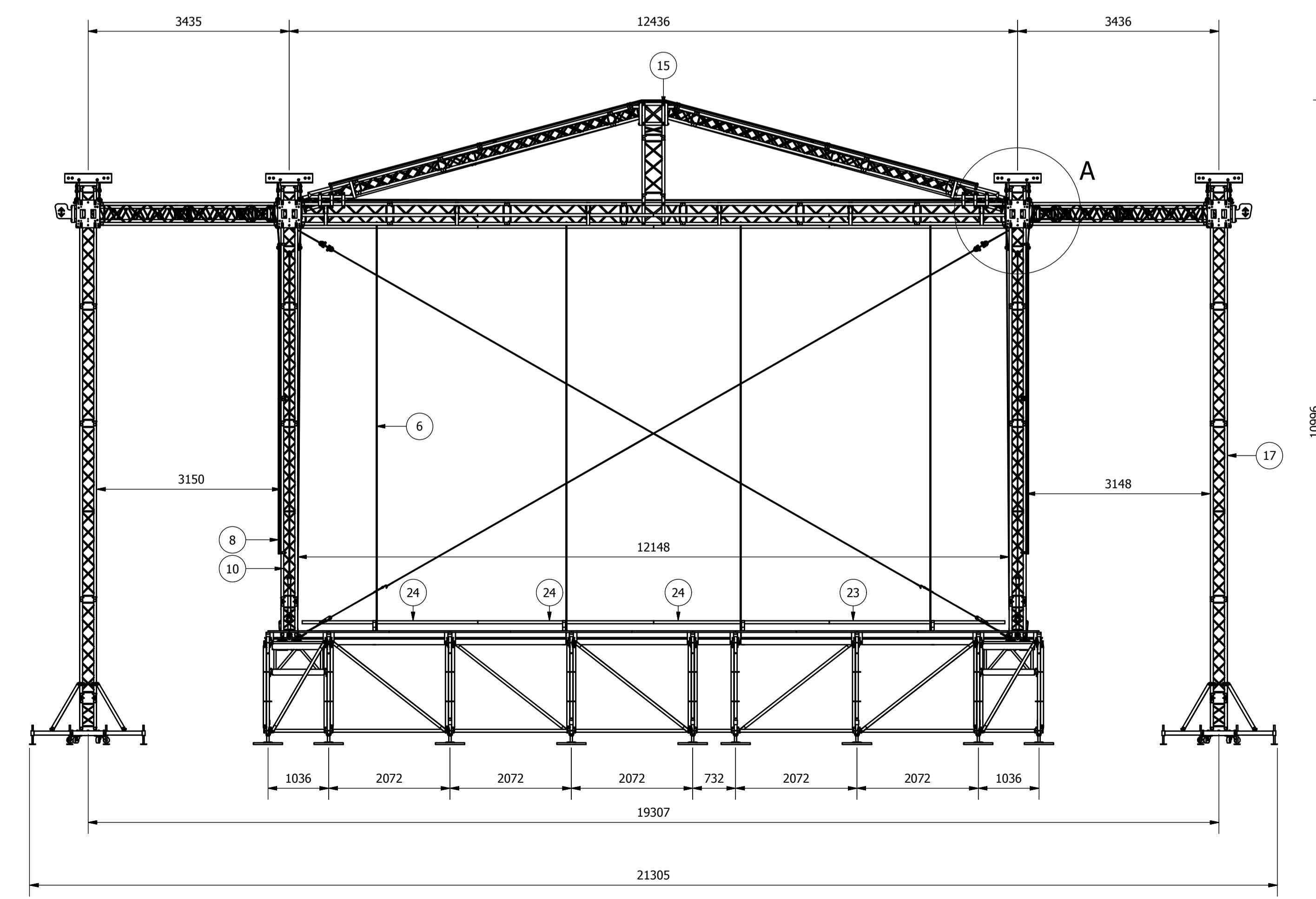
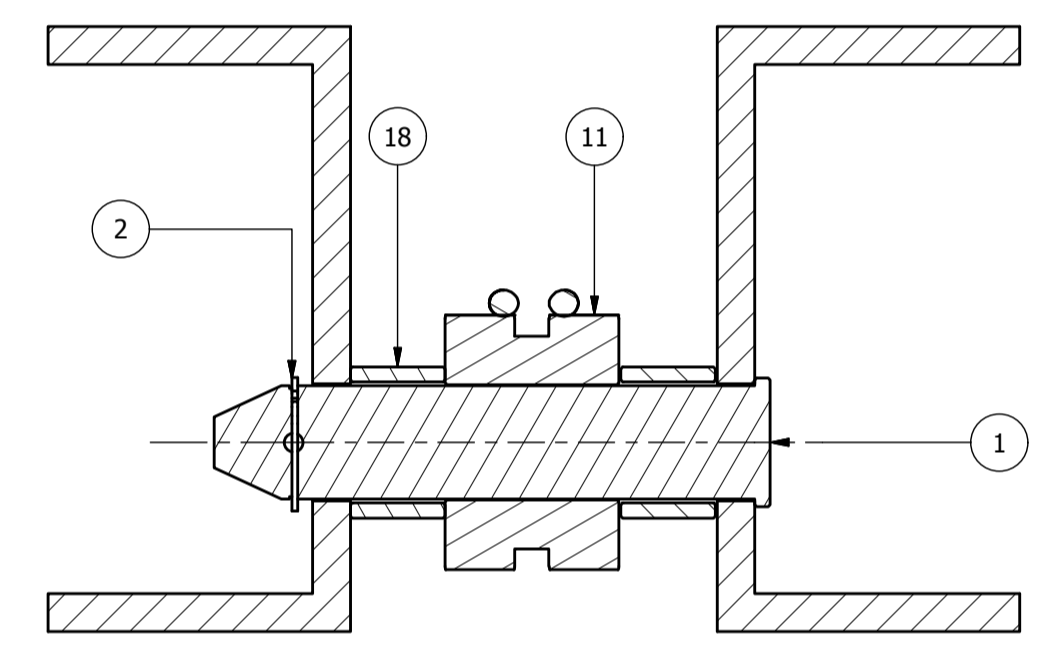


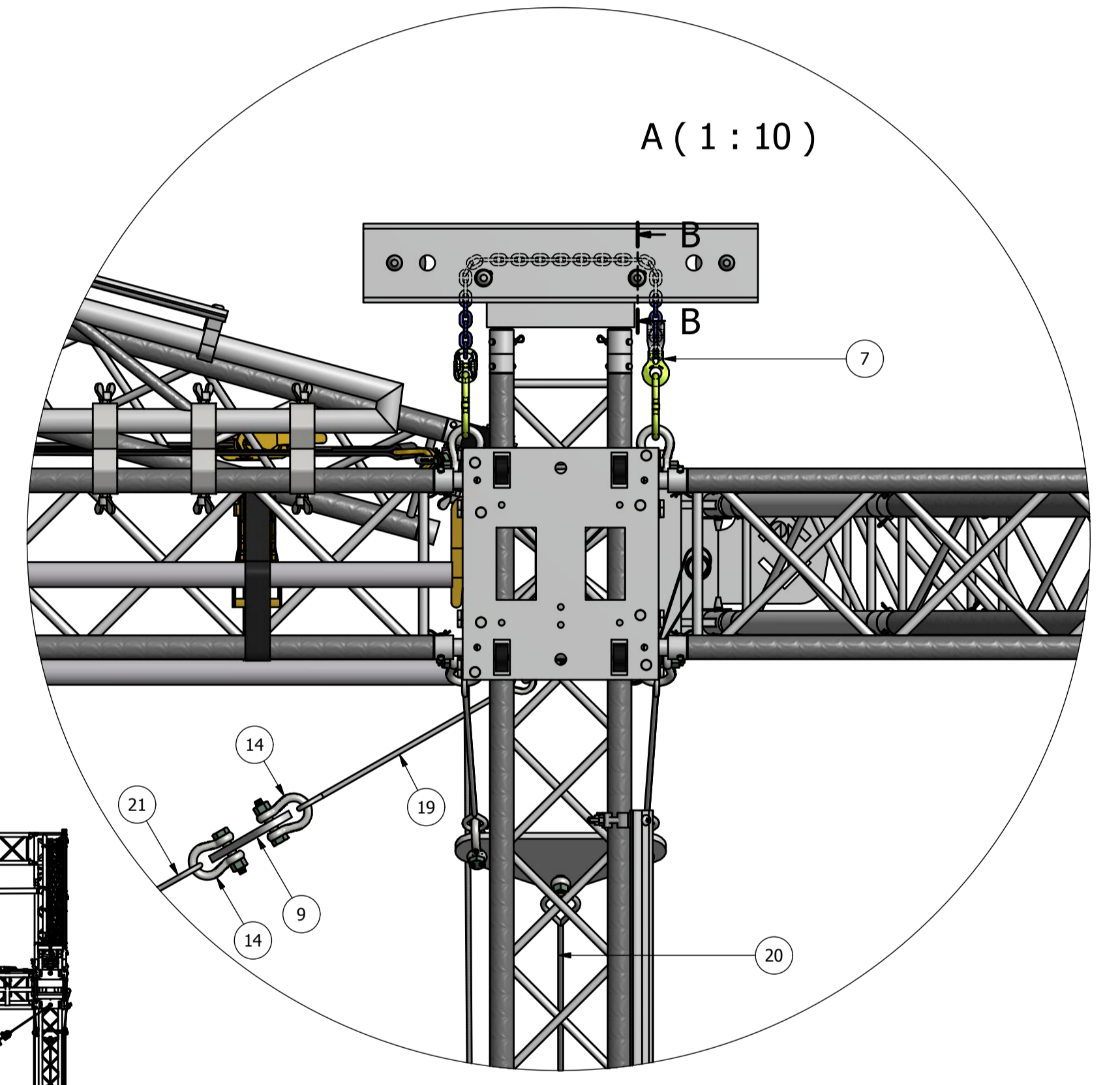
C (1 : 10)



B-B (1 : 2)



A (1 : 10)



ITEM	QTY	ARTICLE NO.	CATALOGUE NO.	DESCRIPTION
24	18	111550286	T-51-OE300SP	TUBE 51X2 L=300CM SPIGOTED
23	2	111550285	T-51-OE300OE	TUBE 51X2 L=300 NON SPIGOTED
22	4	111550262	T-51-OE100OE	TUBE 51X2 L=100 NON SPIGOTED
21	2	111540225	SW-10-1150-EE	STEELWIRE 6X19X10 L=1150 EYE/EYE
20	4	111540344	SW-10-0975-EE	STEELW.10MM L-975CM EYE/EYE
19	12	111540078	SW-10-0050-EE	STEELW 10MM L-50CM EYE/EYE
18	16	111120026	SP-MPT-TOW-009-B	BEARING FOR MPT-009
17	1	111800055	RO-MPT12X10-OPTION-4	MPT ROOF 12X10 LAYHER SOUNDWING
16	1	111800054	RO-MPT12X10-OPTION-3	MPT ROOF 12X10 LAYHER STAGE
15	1	111800058	RO-MPT12X10-OPTION-0-1	MPT ROOF 12X10 ROOF STRUCTURE SOUNDWING
14	38	111540052	RI-SH3.2T	SHACKLE 3 2T WITH BOLT/NUT/PIN
13	12	111540021	RA-2T-0200OE	RATCHET ENDL 2T L=200CM/50MM
12	6	111540020	RA-2T-0200HH	RATCHET SET 2T 0 5+1 5M+H/50MM
11	8	111120046	MPT-WHEEL-SAFE-009	POCKET WHEEL FOR 7MM CHAIN L=46,00
10	4	111800062	MPT-TOW-LA-7,9M-L	MPT TOWER LAYHER PODIUM
9	6	111710025	MPR-031	MPT ROOF DELTA PLATE
8	8	111710023	MPR-021	MPT ROOF 12X10 TOP KEDAR 265CM
7	4	111540343	CH-08-200CRR	CH 2T L=200+CLUTCH+RING+RING
6	12	111730570	CAN-ROPE-18M	ROPE FOR CANOPY 18 MTR
5	6	111730580	CAN-MPT-S/B-F/B-2.0	CANOPY MPT SIDE/BACK FRONT/BACK (2015)
4	2	111730586	CAN-MPT-1210-SIDE-M-2.0	CANOPY MPT 12X10 SIDE MIDDLE (2015)
3	1	111730589	CAN-MPT-1210-BACK-M-2.0	CANOPY MPT 12X10 BACK MIDDLE (2015)
2	8	111520272	BM-ZEK.R.A30	SNPRNG A30 DIN471
1	8	111600055	ACC-LP-30	LOCKING PIN 30MM

DRAWN BY : Ruud DATE : 15-06-2015
 MOD. BY : Sietse DATE MOD. : 13-12-2015
 UNIT MEASURE : mm TREATMENT :
 DESCRIPTION : MPT ROOF 12X10 LAYHER 2072+SOUNDWING
 Drawing Revision Note:
 ARTICLE NO : 112110034 STATUS DRAWING
 Catalogue number: RO-MPT12X10-V021 Released
 SCALE : 1 : 1 FILE NO : 160025289
 The information contained in this drawing is the sole property of Prolite Group. Any reproduction in part or whole without the written permission of Prolite Group is prohibited.